

Bowls Script Form

Fixed or Folding Frame Sports Wheelchair

90875



To Order Fill in the frame dimensions and features required. For variations describe in detail on a separate page. If you have any further questions contact us at the address at the bottom of the page.

SEND FORM
If online, click here to send via e-mail

Date _____

Delivery details _____

Name _____

Address _____

Phone _____

Fax / Cell _____

Email _____

Required by _____

(Delivery is normally 4-6 weeks from order confirmation)

Disability _____ Grading _____ Weight _____ Height _____ Shoe Size _____ T-Shirt Size _____

MEASUREMENTS (Refer to diagram below)

A Seat width _____

F Frame length
(rear of backpost to centre of castor pivot) _____

K Castor Offset - right _____

Q Fixed Frame **90875X**

B Seat depth _____

G Seat to floor - front _____

M Camber - left (0°-5°) _____

R Folding Frame **90875**

C Back height _____

H Seat to floor - rear _____

N Camber - right (0°-5°) _____

Back Style (fixed frame wheelchair only)

D Back angle° _____

I Balance Point _____

O Wheel offset - left _____

Folding Back Fixed Back

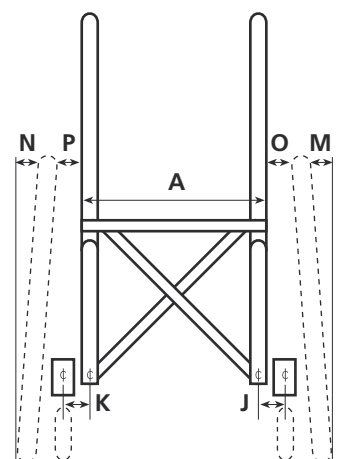
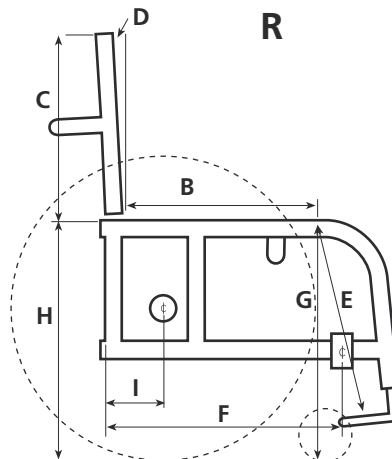
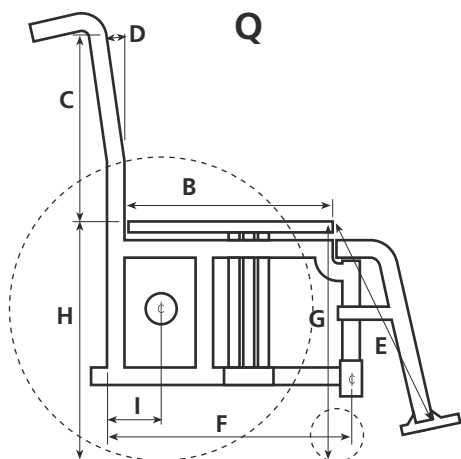
E Seat to footplate _____

J Castor Offset - left _____

P Wheel offset - right _____

ADDITIONAL NOTES

(you can type here)



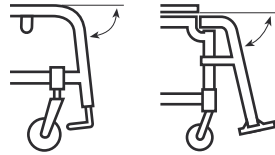
Bowls Script Form

Fixed or Folding Frame Sports Wheelchair

Name _____

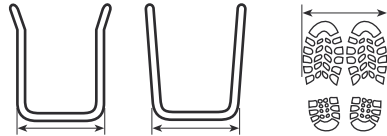
FOOT REST HANGER ANGLE

- 70°
- 80° (std)
- 90°



FOOT REST WIDTH

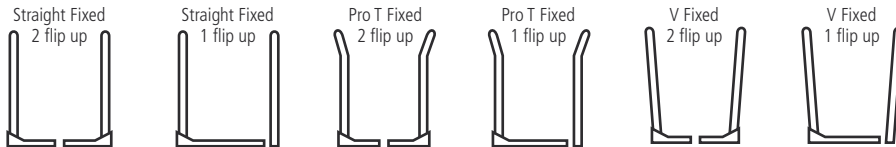
Width for Pro T and V style foot rests only



IMPORTANT
Foot rest Width
When measuring across feet you must add 2" (50mm)

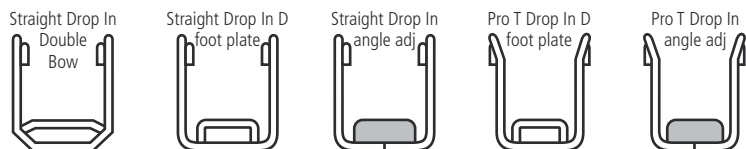
FIXED FRONT FOOT REST

							IMPORTANT The styles in this box are only available on the Fixed Frame wheelchair
--	--	--	--	--	--	--	---



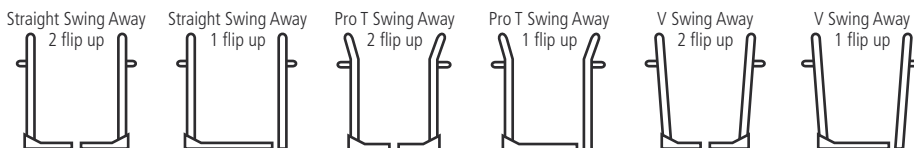
- Straight Hangers
- Pro T Hangers
- V Hangers
- Double Bow style foot plate (std)
- D style foot plate (std)
- Angle adjustable foot plate **AD11520**
- 2 piece, flip up plastic foot plates **AD11524**
- 1 piece, flip up angle adjustable alloy foot plate, opens to the left **AD11550**
- 1 piece, flip up angle adjustable alloy foot plate, opens to the right (pictured) **AD11550**
- ABS on foot plate **AD11500**
- 2 piece, flip up angle adjustable alloy foot plates **AD11521**

DROP IN FOOT REST



- Straight Hangers
- Pro T Hangers
- Double Bow foot plate **AD11580**
- D style foot plate **AD11580**
- Angle adjustable foot plate **AD11520**
- ABS on foot plate **AD11500**

SWING AWAY FOOT REST



- Straight Hangers
- Pro T Hangers
- V Hangers
- 2 piece, flip up plastic foot plates **AD11560**
- 1 piece, flip up angle adjustable alloy foot plate, opens to the left **AD11555**
- 1 piece, flip up angle adjustable alloy foot plate, opens to the right (pictured) **AD11555**
- 2 piece, flip up angle adjustable alloy foot plates **AD11570**

Bowls Script Form

Fixed or Folding Frame Sports Wheelchair

Name _____

CASTORS

8" (200 x 50) pneumatic caster with tube wrap around (std)

FORKS

Standard forks (std)

PUSH HANDLES

Nil

In back canes (std) (folding frame wheelchair only)

Foldable in back canes **AD14160** (folding or fixed frame wheelchair)

Removable on grab bar **AD14100** (fixed frame wheelchair only)

Dual clamp adj height **AD14120** (fixed frame wheelchair only)

BRAKES

Nil

Scissor (std)

Superlock **AD14560** (push to lock with brake extensions)

Brake extensions - left **AD14550**

Push to lock (std)

Hill climbers **AD14530**

Brake extensions - right **AD14550**

ANTI-TIPS

Nil

With plastic wheels **AD15000**

Adjustable anti tips **AD15010**

With roller blades **AD15030**

Kick tube **AD15040**

ARMRESTS

Nil

T adjustable height with desk pad armrest **AD15260**

ABS skirt guard attached to full length pad armrest **AD15281**

T adjustable height with full length pad armrest **AD15261**

UPHOLSTERY

Sling (std)

Standard back (std)

No cushion

Bag under chair **AD16600**

Tension adjustable back **AD16010**

Cushion 1" **AD16201**

Netting under chair **AD16650**

Cushion 2" **AD16202**

Bag on back of chair **AD16680**

Cushion 3" **AD16203**

Wheel bag **AD16780**

SKIRT GUARDS

Nil

ABS drop in **AD16110**

Alloy fixed **AD16130**

Carbon Fibre folding **AD16160**

Fabric skirt guards **AD16100**

ABS fabric covered **AD16120**

Alloy folding **AD16140**

STRAPS / GLOVES / IMPACT GUARDS

Leg strap (std)

Gloves

Impact guards front hangers **AD16400**

Heel loop straps (std)

(size & style)

Impact guards back bars **AD16420**

WHEELS

20" BMX (std)

Other: _____

TYRES

20" x 1.75" Smooth tyres with tube wrap around (std)

Other: _____

PUSHRIMS

Anodised (std)

Rubber Coated **AD13850**

Foam Coated **AD13840**

Vinyl Coated **AD13830**

PUSHRIMS - POSITION

Standard

In close

Onto rim

ACCESSORIES

Ball holder (tray) **AD17020**

Ball Grabber **AD17021**

Name _____

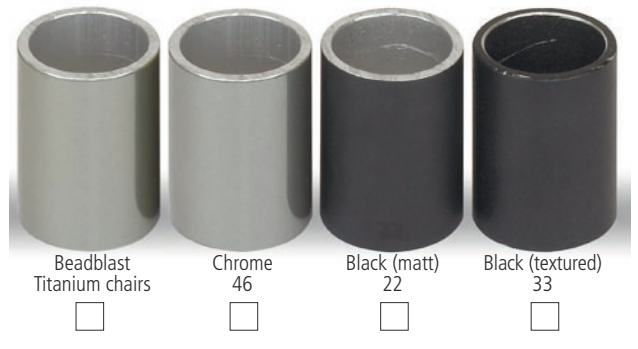
ATTENTION

THIS IS A GUIDE TO COLOURS ONLY, how colours appear on your monitor or when printed out may vary.

Talk to us if you want your Titanium frame coloured or polished.

Colour availability is subject to change without notice.

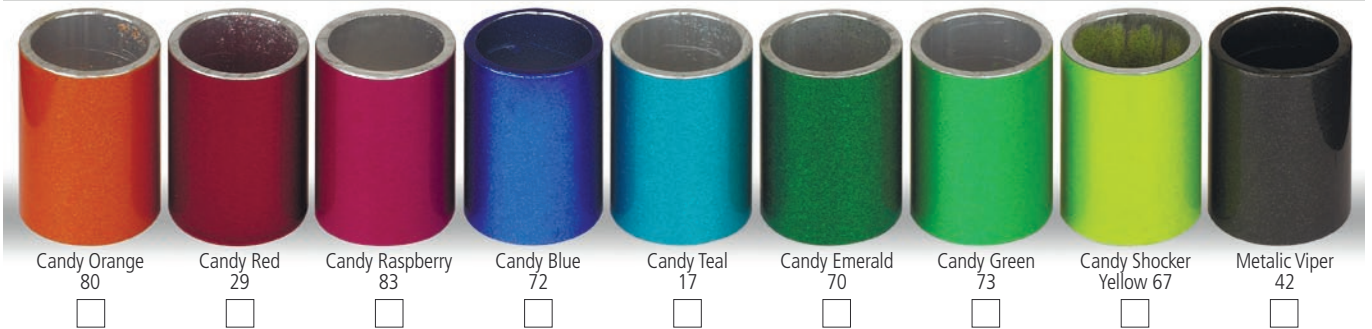
STANDARD & ENABLE CLIENT COLOURS



GLASS COLOURS



CANDY COLOURS



CANDY COLOURS (SPECIAL)



FLUORESCENT COLOURS

