

ATTENTION

This wheelchair has a weight limit of 80kg

If you require a suspension wheelchair and you currently weigh over 80kgs, please consider the Melrose Shockwave.

If you need a wheelchair without the underframe try our Melrose Hawk, or Melrose Piranha.

Remember: all our chairs can be made in Titanium if the wheelchairs weight is an issue.

Cobra Script Form

Fixed Frame Day Wheelchair **90355**

To Order Fill in the frame dimensions and features required. For variations describe in detail on a separate page. If you have any further questions contact us at the address at the bottom of the page.

SEND FORM
If online, click here to send via e-mail

Date _____

Name _____

Address _____

Phone _____

Fax / Cell _____

Email _____

Disability _____

Weight **MAX 80KG** _____

Height _____

Delivery details _____

Therapist details _____

Required by _____

TRIAL CHAIR REF: _____

Shoe Size _____

T-Shirt Size _____

MEASUREMENTS (Refer to diagram below)

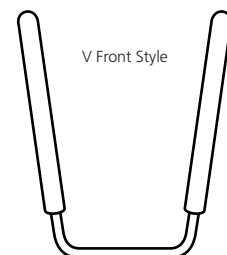
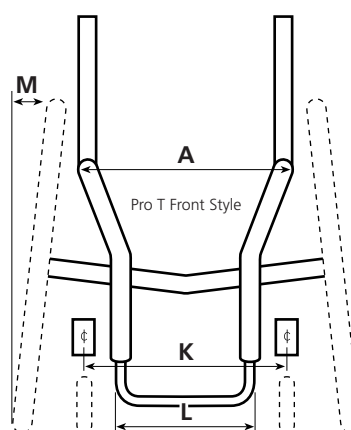
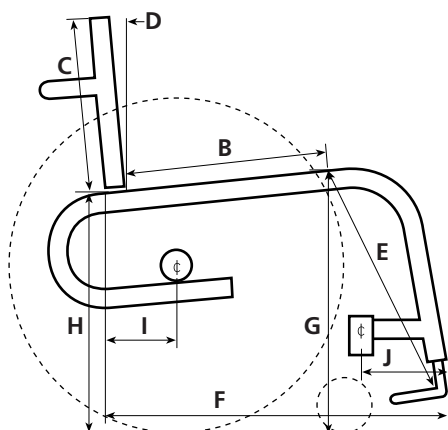
Frame Materials

Titanium only

A Seat Width _____	E Seat to Footplate _____	I Balance Point _____	M Camber (0° - 5°) _____
B Seat Length _____	F Frame Length _____	J Castor Pivot Position _____	Front Hanger Taper Style <input type="checkbox"/> V Front <input type="checkbox"/> Pro T Front
C Back Height _____	G Seat to Floor - Front _____	K Castor Pivot Centres _____	
D Back Angle° _____	H Seat to Floor - Rear _____	L Footplate Width _____	

ADDITIONAL NOTES

(you can type here)



Cobra Script Form

Fixed Frame Day Wheelchair

Name _____

BACK REST

- Folding back (std) Fixed back

FOOTPLATE

- Standard Angle adjustable **AD11520** ABS on footplate **AD11500** Fabric padded cover **AD11510**

CASTORS

- Rollerblade (std) 5" solid (std) 6" solid (std) 8" solid **AD11760**
 4" solid (std) 5" solid alloy **AD11740** 6" solid alloy **AD11742** 8" pneumatic **AD11780**
 4" x 1.25" alloy **AD11710** 5" x 1.5" solid **AD11720** 6" x 1.5" solid **AD11730**
 4" wide soft roll **AD11806** 5" x 1.5" alloy **AD11740** 6" x 1.5" alloy **AD11742**
 5" wide soft roll **AD11810** 6" wide soft roll **AD11820**
 6" pneumatic **AD11750**

FORKS

- Standard forks (std) Ultralight bearing forks **AD11910** Frog Legs suspension **AD11950** Frog Legs Unitine **AD11920**

PUSH HANDLES

- Nil Removable **AD14100** Height adj dual clamp **AD14120** Foldable in back canes **AD14160**

BRAKES

- Nil Superlock Push to Lock with Brake Extensions **AD14560** Scissor (std) Scissor Lock Composite **AD14570**
 Push to lock (std) Brake extension left **AD14550** Ergo Scissor **AD14522** D's-Locks **AD14600**
 Pull to lock **AD14510** Brake extension right **AD14550** Ergo Scissor w/spring **AD14524** Hill climbers **AD14530**

ANTI-TIPS

- Nil Single centre mount anti-tip with plastic wheels **AD15070**
 Pair of single anti-tips with plastic wheels **AD15000** Single centre mount anti-tip with rollerblades **AD15080**
 Pair of single anti-tips with rollerblades **AD15030** Dual tube one piece swivel anti-tip with rollerblade **AD15150**

ARMRESTS

- Nil T adjustable height with desk pad armrest **AD15260**
 ABS skirt guard attached to full length pad armrest **AD15281** T adjustable height with full length pad armrest **AD15261**

UPHOLSTERY

- Sling (std) Standard back (std) No cushion Bag under chair **AD16600**
 Tension adjustable back **AD16010** Cushion 1" **AD16201** Bag on back of chair **AD16680**
 Cushion 2" **AD16202** Bag on right front hanger **AD16620**
 Cushion 3" **AD16203** Bag on front left hanger **AD16620**
 Wheel bag **AD16780**

SKIRT GUARDS

- Nil ABS drop in **AD16110** Alloy fixed **AD16130** Carbon Fibre fixed **AD16161**
 Fabric skirt guards **AD16100** ABS fabric covered **AD16120** Alloy folding **AD16140** Carbon Fibre folding **AD16160**

STRAPS, IMPACT GUARDS

- Leg strap (std) Impact guards front hangers **AD16400** Impact guards grab bar **AD16420** Impact guards bottom bar **AD16422**
- Impact guards made only if suitable after fitting anti tips, push handles etc.

Name _____

WHEELS**24"**

- Spoked Wheels (std)
- Spinergy Day Wheels (18 spoke) **AD13300** (Choose your spoke colour) **Bk R Bl W Y**
- Spinergy LX Wheels (12 spoke) **AD13310** (Choose your spoke colour) **Bk R Bl W Y Gr Pk O**
- Spinergy LX Wheels with FlexRim (12 spoke - black only) **AD13315**
- X Core Wheels (5 spoke) **AD13108**
- Spider Wheels **AD13100**
- Topolino Wheels **AD13350**
- Dino Wheels **AD13360** (Choose your spoke colour) **Bk R Bl Sv Go Gr Pk O LB Pu**
- Glance Wheels **AD13400** (Wheel Type)
- BMX Wheels (std)

25"

- Spoked Wheels (std)
- Spinergy Day (18 spoke) **AD13300** (Choose your spoke colour) **Bk R Bl W Y**
- Spinergy LX (12 spoke) **AD13310** (Choose your spoke colour) **Bk R Bl W Y Gr Pk O**
- Spinergy LX Wheels with FlexRim (12 spoke - black only) **AD13315**
- X Core Wheels (3 spoke) **AD13200**
- Topolino Wheels **AD13350**
- Dino Wheels **AD13360** (Choose your spoke colour) **Bk R Bl Sv Go Gr Pk O LB Pu**
- Glance Wheels **AD13400** (Wheel Type)
- BMX Wheels (std)

26"

- Spoked Wheels (std)
- Spinergy Day (18 spoke) **AD13300** (Choose your spoke colour) **Bk R Bl W Y**
- Spinergy LX (12 spoke) **AD13310**
- BMX Wheels (std)

 Spare Wheel(s) Type: _____

Tyres: _____ Pushrims: _____ Size: _____

AXLES

- Quick release axles (std) Quad release **AD12500**

PUSHRIMS

- Anodised (std) Anodised (1") **AD13855** Foam **AD13840** Natural Fit Lite **AD13860**
- Vinyl **AD13830** Vinyl (1") **AD13859** Surge **AD13864** Max Greppe **AD13870**
- Rubber coated (black) **AD13850** Rubber coated (1") **AD13857** Surge Lite **AD13864** Spinergy FlexRim - see Wheels

PUSHRIMS - POSITION

- Standard In close Onto rim

SPOKE GUARDS

- Nil Clear polycarb **AD13900** Black ABS **AD13901**

Cobra Script Form

Fixed Frame Day Wheelchair

Name _____

COLOURS

Polished

Bead Blasted



ATTENTION

THIS IS A GUIDE TO COLOURS ONLY, how colours appear on your monitor or when printed out may vary.

Contact us if you require assistance or a colour sample.

We do not recommend powder coating titanium.