

# Hawk Growable Script

## Growable Adjustable Squeeze Day Wheelchair 90420G

**To Order** Fill in the frame dimensions and features required. For variations describe in detail on a separate page. If you have any further questions contact us at the address at the bottom of the page.

**SEND FORM**

If online, click here to send via e-mail

Date	Delivery details			
Name				
Address				
Phone	Therapist details			
Fax / Cell	Required by			
Email	<b>TRIAL CHAIR REF:</b>			
Disability	Weight	Height	Shoe Size	T-Shirt Size

**MEASUREMENTS** (Refer to diagram below)

- A** Seat width 14" growable
- Seat width growth kit (2") **AD10702**
- B** Seat depth growable from 13" to 16"
- C** Back height (adjustable) - set at \_\_\_\_\_
- D** Back angle (adjustable) - set at \_\_\_\_\_
- E** Seat to footplate (adjustable) - set at \_\_\_\_\_

**Frame Materials**  Aluminium **90420A**

- F** Overall frame length \_\_\_\_\_
- G** Seat to floor - front 16"  17"  18"  19"
- H** Seat to floor - rear 15"  16"  17"  18"
- I** Balance Point (adjustable) - set at \_\_\_\_\_
- J** Castor Pivot Position \_\_\_\_\_
- K** Castor Pivot Centres \_\_\_\_\_
- L** Camber (0°-5°) \_\_\_\_\_

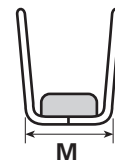
**M** Footplate width \_\_\_\_\_



**IMPORTANT Foot-plate Width**  
When measuring across feet you must add 2" (50mm).  
Add another 1" if using a Freewheel.

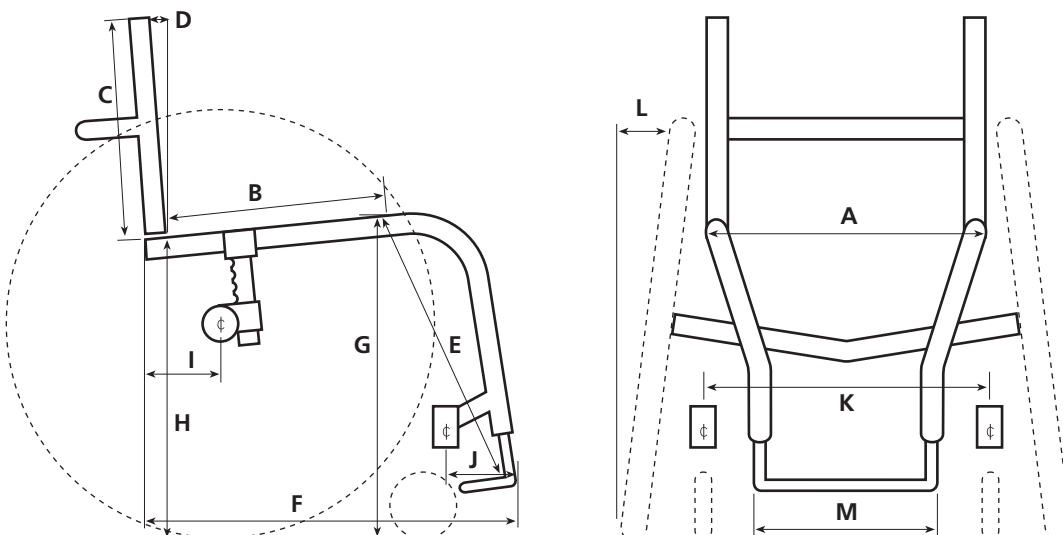
**Front Hanger Taper Style**

- V Front       Pro T Front



**ADDITIONAL NOTES**

(you can type here)



# Hawk Growable Script

Growable Adjustable Squeeze Day Wheelchair

Name \_\_\_\_\_

## BACK REST

Folding back (std)

## FOOTPLATE

Standard

Angle adjustable **AD11520**

ABS on footplate **AD11500**

Fabric padded cover **AD11510**

## CASTORS

Rollerblade (std)

4" solid (std)

5" solid (std)

4" x 1.25" alloy **AD11710**

5" solid alloy **AD11740**

4" wide soft roll **AD11806**

5" x 1.5" solid **AD11720**

5" x 1.5" alloy **AD11740**

5" wide soft roll **AD11810**

## FORKS

Ultralight bearing forks with adjustable clamp (std)

## PUSH HANDLES

Nil

Removable **AD14100**  
height \_\_\_\_\_

Height adj dual clamp **AD14120**  
height \_\_\_\_\_

Foldable in back canes **AD14160**

## BRAKES

Nil

Scissor (std)

Ergo Scissor w/spring **AD14524**

Hill climbers **AD14530**

Push to lock (std)

Ergo Scissor **AD14522**

Brake extension left **AD14550**

Pull to lock **AD14510**

Scissor Lock Composite **AD14570**

Brake extension right **AD14550**

## ANTI-TIPS

Nil

Latch flip-up **AD15022**

Single centre mount anti-tip with plastic wheels **AD15070**

Pair of single anti-tips with plastic wheels **AD15000**

Single centre mount anti-tip with rollerblades **AD15080**

Pair of single anti-tips with rollerblades **AD15030**

Double mount one piece swivel anti-tip with rollerblade **AD15150**

## ARMRESTS

Nil

T adjustable height 8" length pad armrest with ABS skirt guard **AD15279**

T adjustable height 8" length pad armrest **AD15259**

T adjustable height desk pad armrest with ABS skirt guard **AD15280**

T adjustable height desk pad armrest **AD15260**

## UPHOLSTERY

Sling (std)

No cushion

Cushion 3" **AD16203**

Bag on right front hanger **AD16620**

Standard back (std)

Cushion 1" **AD16201**

Bag under chair **AD16600**

Bag on front left hanger **AD16620**

Tension adjustable back **AD16010**

Cushion 2" **AD16202**

Bag on back of chair **AD16680**

## SKIRT GUARDS

Nil

Fabric skirt guards **AD16100**

ABS drop in **AD16110**

ABS fabric covered **AD16120**

## STRAPS, IMPACT GUARDS

Leg strap (std)

Impact guards grab bar **AD16420**

Impact guards front hangers **AD16400**

# Hawk Growable Script

Growable Adjustable Squeeze Day Wheelchair

Name \_\_\_\_\_

**WHEELS****20" - 22"**

- 20" x 1" Spoked Wheels  
 20" x 1-3/8" Spoked Wheels  
 20" x 1.75" Spoked Wheels  
 20" x 1.75" Composite Wheels  
 20" X-Core Wheels  
 22" x 1" Spoked Wheels  
 22" x 1-3/8" Spoked Wheels  
 22" Spinergy LX Wheels (12 spoke - black only) AD13310  
 22" X-Core Wheels

**24"**

- Spoked Wheels (std)  
 Composite Wheels  
 Spinergy Day Wheels (18 spoke) **AD13300** (Choose your spoke colour) **Bk R Bl W Y**  
 Spinergy LX Wheels (12 spoke) **AD13310** (Choose your spoke colour) **Bk R Bl W Y Gr Pk O**  
 Spinergy LX Wheels with FlexRim (12 spoke - black only) **AD13315**  
 X Core Wheels (5 spoke) **AD13108**  
 Dino Wheels **AD13360** (Choose your spoke colour) **Bk R Bl Sv Go Gr Pk O LB Pu**  
 BMX Wheels (std)

 Spare Wheel(s) Type: \_\_\_\_\_

Tyres: \_\_\_\_\_ Pushrims: \_\_\_\_\_ Size: \_\_\_\_\_

**TYRES****20" - 22"**

- 20" x 1" HP Smooth (std)  
 20" x 1-3/8" Tread (std)  
 20" x 1-3/8" Solid Tread (std)  
 20" x 1.75" Tread (std)  
 22" x 1" HP Smooth (std)  
 22" x 1-3/8" Tread (std)  
 22" x 1-3/8" Solid Tread (std)

**24"**

- 24" x 1" HP Smooth (std)  
 24" x 1" HP Tread (std)  
 24" x 1" Solid (std)  
 24" x 1-3/8" Tread (std)  
 24" x 1-3/8" Solid (std)  
 24" x 1-3/8" Kenda HP Tread **AD13710**  
 24" x 1-3/8" Primo V-Trak Knobbly **AD13715**  
 24" x 1" Kenda Ironcap Blue **AD13700**  
 24" x 1" Kenda Konstrictor **AD13720**  
 24" x 1" Schwalbe Right Run **AD13740**  
 24" x 1" Schwalbe Marathon Evo **AD13750**  
 BMX Tread (std)

**AXLES**

- Quick release axles (std)  Quad release **AD12500**

**PUSHRIMS**

- Anodised (std)  Rubber coated (black) **AD13850**  Foam **AD13840**  RibGrips **AD13866**  
 Anodised (1") **AD13855**  Rubber coated (1") **AD13857**  Natural Fit Lite **AD13860**  Q Grips **AD13865**  
 Vinyl **AD13830**  Surge **AD13864**  Max Greppe **AD13870**  
 Vinyl (1") **AD13859**  Surge Lite **AD13864**  Spinergy FlexRim - see Wheels

**PUSHRIMS - POSITION**

- Standard  In close  Onto rim

**SPOKE GUARDS**

- Nil  Clear polycarb **AD13900**  Black ABS **AD13901**

Name \_\_\_\_\_

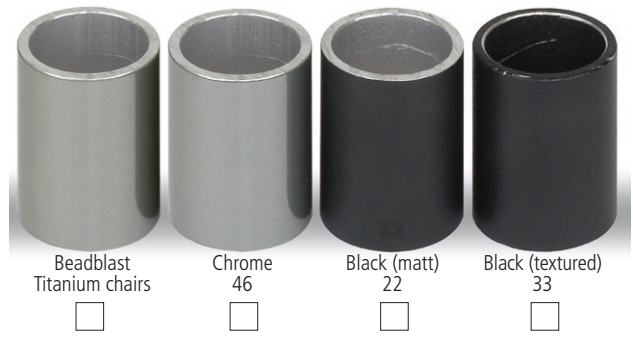
**ATTENTION**

**THIS IS A GUIDE TO COLOURS ONLY, how colours appear on your monitor or when printed out may vary.**

Talk to us if you want your Titanium frame coloured or polished.

*Colour availability is subject to change without notice.*

**STANDARD & ENABLE CLIENT COLOURS**



**GLASS COLOURS**



**CANDY COLOURS**



**CANDY COLOURS (SPECIAL)**



**FLUORESCENT COLOURS**

