

Hawk Script Form

Adjustable Squeeze Day Wheelchair 90420

To Order Fill in the frame dimensions and features required. For variations describe in detail on a separate page. If you have any further questions contact us at the address at the bottom of the page.

SEND FORM
If online, click here to send via e-mail

Date _____

Name _____

Address _____

Phone _____

Fax / Cell _____

Email _____

Disability _____ Weight _____ Height _____

Delivery details _____

Therapist details _____

Required by _____

TRIAL CHAIR REF: _____

Shoe Size _____ T-Shirt Size _____

MEASUREMENTS (Refer to diagram below)

Frame Materials

Titanium (std) Aluminium

90420A

A Seat width _____

B Seat depth _____

C Back height _____

D Back angle _____

E Seat to footplate _____

F Overall frame length _____

G Seat to floor - front _____

H Seat to floor - rear _____

I Balance Point _____

J Castor Pivot Position _____

K Castor Pivot Centres _____

L Camber (0°-5°) _____

M Footplate width _____

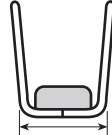

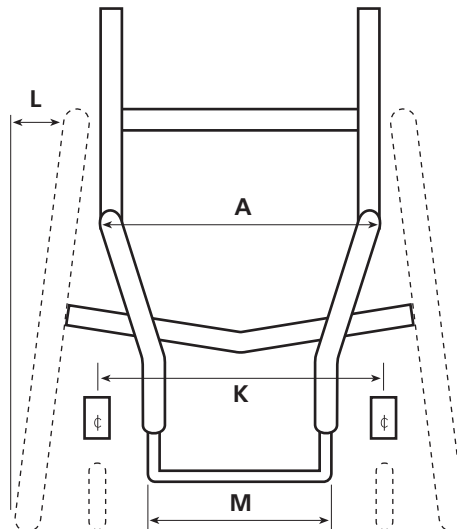
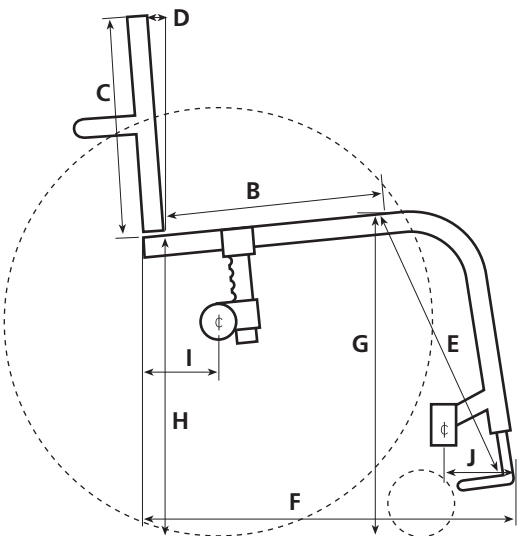


IMPORTANT Foot-plate Width
When measuring across feet you must add 2" (50mm). Add another 1" if using a Freewheel.

ADDITIONAL NOTES
(you can type here)

Front Hanger Taper Style

V Front Pro T Front

Hawk Script Form

Adjustable Squeeze Day Wheelchair

Name _____

BACK REST

- Folding back (std) Fixed back

FOOTPLATE

- Standard Angle adjustable **AD11520** ABS on footplate **AD11500** Fabric padded cover **AD11510**

CASTORS

- Rollerblade (std) 5" solid (std) 6" solid (std) 8" solid **AD11760**
 4" solid (std) 5" solid alloy **AD11740** 6" solid alloy **AD11742** 8" pneumatic **AD11780**
 4" x 1.25" alloy **AD11710** 5" x 1.5" solid **AD11720** 6" x 1.5" solid **AD11730**
 4" wide soft roll **AD11806** 5" x 1.5" alloy **AD11740** 6" x 1.5" alloy **AD11742**
 5" wide soft roll **AD11810** 6" wide soft roll **AD11820**
 6" pneumatic **AD11750**

FORKS

- Standard forks (std) Ultralight bearing forks **AD11910** Frog Legs suspension **AD11950** Frog Legs Unitine **AD11920**

PUSH HANDLES

- Nil Removable **AD14100** Height adj dual clamp **AD14120** Foldable in back canes **AD14160**

BRAKES

- Nil Superlock Push to Lock with Brake Extensions **AD14560** Scissor (std) Scissor Lock Composite **AD14570**
 Push to lock (std) Brake extension left **AD14550** Ergo Scissor **AD14522** D's-Locks **AD14600**
 Pull to lock **AD14510** Brake extension right **AD14550** Ergo Scissor w/spring **AD14524** Hill climbers **AD14530**

ANTI-TIPS

- Nil Single centre mount anti-tip with plastic wheels **AD15070**
 Pair of single anti-tips with plastic wheels **AD15000** Single centre mount anti-tip with rollerblades **AD15080**
 Pair of single anti-tips with rollerblades **AD15030** Duel tube one piece swivel anti-tip with rollerblade **AD15150**

ARMRESTS

- Nil T adjustable height with desk pad armrest **AD15260**
 ABS skirt guard attached to full length pad armrest **AD15281** T adjustable height with full length pad armrest **AD15261**

UPHOLSTERY

- Sling (std) Standard back (std) No cushion Bag under chair **AD16600**
 Tension adjustable back **AD16010** Cushion 1" **AD16201** Bag on back of chair **AD16680**
 Cushion 2" **AD16202** Bag on right front hanger **AD16620**
 Cushion 3" **AD16203** Bag on front left hanger **AD16620**
 Wheel bag **AD16780**

SKIRT GUARDS

- Nil ABS drop in **AD16110** Alloy fixed **AD16130** Carbon Fibre fixed **AD16161**
 Fabric skirt guards **AD16100** ABS fabric covered **AD16120** Alloy folding **AD16140** Carbon Fibre folding **AD16160**

STRAPS, IMPACT GUARDS

- Leg strap (std) Impact guards front hangers **AD16400** Impact guards grab bar **AD16420** Impact guards bottom bar **AD16422**
- Impact guards made only if suitable after fitting anti tips, push handles etc.

Hawk Script Form

Adjustable Squeeze Day Wheelchair

Name _____

WHEELS**24"**

- Spoked Wheels (std)
- Spinergy Day Wheels (18 spoke) **AD13300** (Choose your spoke colour) **Bk R Bl W Y**
- Spinergy LX Wheels (12 spoke) **AD13310** (Choose your spoke colour) **Bk R Bl W Y Gr Pk O**
- Spinergy LX Wheels with FlexRim (12 spoke - black only) **AD13315**
- X Core Wheels (5 spoke) **AD13108**
- Spider Wheels **AD13100**
- Topolino Wheels **AD13350**
- Dino Wheels **AD13360** (Choose your spoke colour) **Bk R Bl Sv Go Gr Pk O LB Pu**
- Glance Wheels **AD13400** (Wheel Type)
- BMX Wheels (std)

25"

- Spoked Wheels (std)
- Spinergy Day (18 spoke) **AD13300** (Choose your spoke colour) **Bk R Bl W Y**
- Spinergy LX (12 spoke) **AD13310** (Choose your spoke colour) **Bk R Bl W Y Gr Pk O**
- Spinergy LX Wheels with FlexRim (12 spoke - black only) **AD13315**
- X Core Wheels (3 spoke) **AD13200**
- Topolino Wheels **AD13350**
- Dino Wheels **AD13360** (Choose your spoke colour) **Bk R Bl Sv Go Gr Pk O LB Pu**
- Glance Wheels **AD13400** (Wheel Type)
- BMX Wheels (std)

26"

- Spoked Wheels (std)
- Spinergy Day (18 spoke) **AD13300** (Choose your spoke colour) **Bk R Bl W Y**
- Spinergy LX (12 spoke) **AD13310**
- BMX Wheels (std)

 Spare Wheel(s) Type: _____

Tyres: _____ Pushrims: _____ Size: _____

TYRES**24"**

- 24" x 1" HP Smooth (std)
- 24" x 1" HP Tread (std)
- 24" x 1" Solid (std)
- 24" x 1-3/8" Tread (std)
- 24" x 1-3/8" Solid (std)
- 24" x 1-3/8" Kenda HP Tread **AD13710**
- 24" x 1-3/8" Knobbly V-Trak **AD13715**
- 24" x 1" Kenda Ironcap Blue **AD13700**
- 24" x 1" Kenda Konstrictor **AD13720**
- 24" x 1" Schwalbe Right Run **AD13740**
- 24" x 1" Schwalbe Marathon Evo **AD13750**
- BMX Tread (std)

25"

- 25" x 1" HP Smooth (std)
- 25" x 1" Solid (std)
- 25" x 1" Kenda Ironcap Blue **AD13700**
- 25" x 1" Kenda Konstrictor **AD13720**
- 25" x 1" Schwalbe Right Run **AD13740**
- 25" x 1" Schwalbe Marathon Evo **AD13750**
- BMX Tread (std)

26"

- 26" x 1" HP Smooth (std)
- 26" x 1-3/8" Tread (std)
- 26" x 1" Solid (std)
- 26" x 1" Schwalbe Right Run **AD13740**
- 26" x 1" Schwalbe Marathon Evo **AD13750**
- BMX Tread (std)

AXLES

- Quick release axles (std) Quad release **AD12500**

PUSHRIMS

- Anodised (std) Anodised (1") **AD13855** Foam **AD13840** Natural Fit Lite **AD13860**
- Vinyl **AD13830** Vinyl (1") **AD13859** Surge **AD13864** Max Greppe **AD13870**
- Rubber coated (black) **AD13850** Rubber coated (1") **AD13857** Surge Lite **AD13864** Spinergy FlexRim - see Wheels

PUSHRIMS - POSITION

- Standard In close Onto rim

SPOKE GUARDS

- Nil Clear polycarb **AD13900** Black ABS **AD13901**

Hawk Script Form

Adjustable Squeeze Day Wheelchair

Name _____

COLOURS

- 27 Candy Blue
- 1 Royal Blue
- 72 Glass Blue
- 16 Candy Purple
- 48 Burgundy
- 83 Candy Raspberry
- 88 Fluro Pink
- 28 Candy Red
- 11 Flame
- 57 Super Hot Chilli
- 80 Candy Orange
- 71 Pure Orange
- 68 Crystal Yellow
- 73 Crystal Jade
- 89 Fluro Green
- 70 Candy Emerald
- 2 Hawthorn Green
- 17 Crystal Sapphire

**ATTENTION**

THIS IS A GUIDE TO COLOURS ONLY, how colours appear on your monitor or when printed out may vary.

Contact us if you require assistance or a colour sample.

This colour selection is for our aluminum frames only.

We do not recommend powder coating titanium.

Colour availability is subject to change without notice, contact us if you are concerned about the availability of your colour.

- 55 Silver Sparkle
- 12 Silver Orbiter
- 46 Chrome
- 42 Metallic Viper
- 30 Satin Black
- 61 High Gloss Black
- 62 Matt Black
- 63 Texture Matt Black
- 18 Clear
- Bead Blast** (titanium only)
- Custom Colour** (additional cost)
- Description

