

Start M2 Configurable

Start M2

Lightweight wheelchair

Article number: 480F74=40000_K



<input type="checkbox"/> Provide estimate only		<input type="checkbox"/> Order	
<input type="checkbox"/> Attachment for custom fabrication enclosed			
Billing address/customer number			
Delivery address			
Sales person		Name	
		Date Signature	
<p>By placing the order, you agree to comply with the instructions for use/service manuals for accessories and products of other manufacturers when combining them with an Ottobock product, in addition to the instructions for use/service manuals of the respective Ottobock products. Also you confirm to have read, understood and accepted, our general terms and conditions. In addition, you agree, upon placing an order, to conduct your own conformity assessment or approval in accordance with national requirements if and when you implement modifications or attachments that do not meet the specifications of Ottobock instructions for use/service manuals.</p>			

Standard equipment

- Aluminium frame, powder coated
- Tip-assist integrated into the frame
- Individual leg supports, angle-adjustable, plastic foot plates
- Individual calf straps
- Swing-away leg support holders
- Tool-free seat depth adjustment
- Standard side panel with height-adjustable arm support, flip-up, removable
- Knee lever wheel lock
- Drive wheels with quick-release axles
- Seat and back support upholstery of black nylon
- Antibacterial push handles
- Adjustable caster head

Folding, max. user weight: 125 kg

Wheelchair measurements			
Seat width (SW)	_____ cm	Anterior seat height (ASH)	_____ cm
Seat depth (SD)	_____ cm	Posterior seat height (PSH)	_____ cm
Back support height (BH)	_____ cm	Lower leg length (LL) (frame measurement)	_____ cm
Seat measurements			
Seat width in cm	<input type="checkbox"/> 38	<input type="checkbox"/> 40.5	<input type="checkbox"/> 43 <input type="checkbox"/> 45.5 <input type="checkbox"/> 48 <input type="checkbox"/> 50.5
Seat depth in cm	<input type="checkbox"/> 40.5	<input type="checkbox"/> 43	<input type="checkbox"/> 45.5 <input type="checkbox"/> 48 <input type="checkbox"/> 50.5
Foot space enlargement "HEMI" (low anterior seat height/wider foot space)			
MB 77	<input type="checkbox"/>	Yes	Add. charge
	<input type="checkbox"/>	No	

Information

Seat height table

Anterior seat height in cm

Caster fork, short Adjustment range

Caster wheel diameter 5"	40 – 44
Caster wheel diameter 5.5"	42 – 44
Caster wheel diameter 6"	43 – 45
Caster wheel diameter 7"	45 – 47

Caster fork, long

Caster wheel diameter 5"	44 – 47
Caster wheel diameter 5.5"	44 – 48
Caster wheel diameter 6"	45 – 49
Caster wheel diameter 7"	47 – 50
Caster wheel diameter 8"	48 – 51

Anterior seat height in cm with wider foot space

Caster fork, short Adjustment range

Caster wheel diameter 5"	38 – 42
Caster wheel diameter 5.5"	40 – 43
Caster wheel diameter 6"	41 – 43
Caster wheel diameter 7"	43 – 44

Caster fork, long

Caster wheel diameter 5"	42 – 45
Caster wheel diameter 5.5"	43 – 46
Caster wheel diameter 6"	43 – 47
Caster wheel diameter 7"	44 – 48
Caster wheel diameter 8"	46 – 49

Seat height table

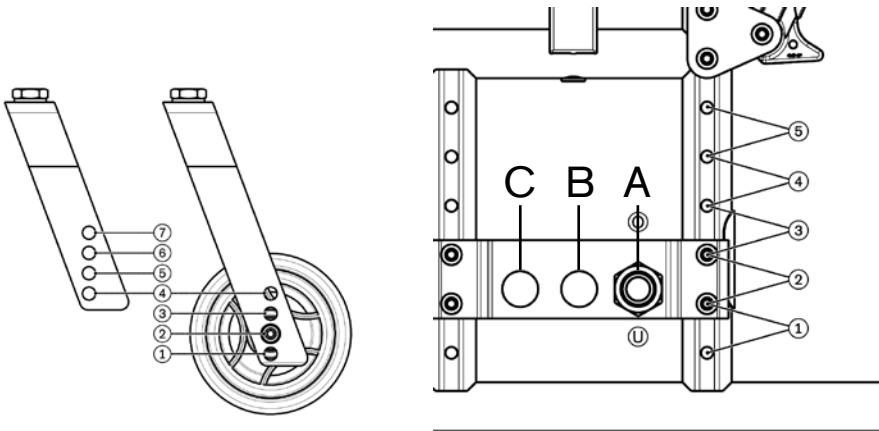
Posterior seat height in cm

Rear wheel size	Adjustment range
22"	38 – 47
24"	41 – 50

The values indicated are rounded values which have been theoretically determined. Max. deviation: 1 cm. The anterior seat height depends on the selected wheel size, caster fork and mounting position. Please refer to the seat height table!

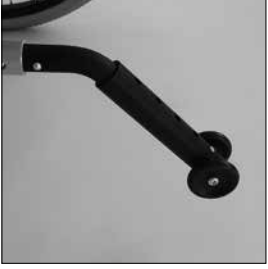
Specified without seat cushion at 0° seat inclination.

The maximum possible seat inclination is 3.5 cm.



Foot-propelled wheelchair (reduced ground clearance in delivery condition for HEMI)*			
MB 50	<input type="checkbox"/>	Yes	
	<input type="checkbox"/>	No	
* Risk due to getting caught on obstacles. Please observe safety information in the instructions for use.			
Cross brace			
MA 00	<input type="checkbox"/>	Single cross brace	-
MA 100	<input type="checkbox"/>	1,5-fold cross brace	Add. charge
Seat height measurements			
Anterior seat height in cm	<input type="checkbox"/>	38	<input type="checkbox"/>
	<input type="checkbox"/>	39	<input type="checkbox"/>
Posterior seat height in cm	<input type="checkbox"/>	40	<input type="checkbox"/>
	<input type="checkbox"/>	41	<input type="checkbox"/>
	<input type="checkbox"/>	42	<input type="checkbox"/>
	<input type="checkbox"/>	43	<input type="checkbox"/>
	<input type="checkbox"/>	44	<input type="checkbox"/>
	<input type="checkbox"/>	45	<input type="checkbox"/>
	<input type="checkbox"/>	46	<input type="checkbox"/>
	<input type="checkbox"/>	47	<input type="checkbox"/>
	<input type="checkbox"/>	48	<input type="checkbox"/>
	<input type="checkbox"/>	49	<input type="checkbox"/>
	<input type="checkbox"/>	50	<input type="checkbox"/>
	<input type="checkbox"/>	51	<input type="checkbox"/>
	<input type="checkbox"/>	44	<input type="checkbox"/>
	<input type="checkbox"/>	45	<input type="checkbox"/>
	<input type="checkbox"/>	46	<input type="checkbox"/>
	<input type="checkbox"/>	47	<input type="checkbox"/>
	<input type="checkbox"/>	48	<input type="checkbox"/>
	<input type="checkbox"/>	49	<input type="checkbox"/>
	<input type="checkbox"/>	50	<input type="checkbox"/>
Frame accessories			
MA 50	<input type="checkbox"/>	Transport wheels	Add. charge
MA 55	<input type="checkbox"/>	Plug-on anti-tipper, right	Add. charge
MA 56	<input type="checkbox"/>	Plug-on anti-tipper, left	Add. charge
MA 57	<input type="checkbox"/>	Crutch holder, right	Add. charge
MA 58	<input type="checkbox"/>	Crutch holder, left	Add. charge
Caster wheels			
MF 03	<input type="checkbox"/>	5" solid rubber	-
MF 04	<input type="checkbox"/>	5.5" soft	-
MF 05	<input type="checkbox"/>	6" pneumatic tyres	(150 × 30) -
MF 06	<input type="checkbox"/>	6" solid rubber	(150 × 27) -
MF 07	<input type="checkbox"/>	7" pneumatic tyres	(180 × 45) -
MF 08	<input type="checkbox"/>	7" solid rubber	(180 × 45) -
MF 09	<input type="checkbox"/>	8" pneumatic tyres	(200 × 30) -
MF 12	<input type="checkbox"/>	8" pneumatic tyres	(200 × 50) -
MF 13	<input type="checkbox"/>	8" PU tyres, wide	(200 × 50) -
Caster forks			
MF 80	<input type="checkbox"/>	Long fork	-
MF 81	<input type="checkbox"/>	Short fork	-
Drive wheel size			
MG 01	<input type="checkbox"/>	22"	-
MG 02	<input type="checkbox"/>	24"	-
Horizontal drive wheel position			
<input type="checkbox"/>	<input type="checkbox"/>	<input type="checkbox"/>	
A	B	C	
Wheelbase extension			
<input type="checkbox"/>	Yes		Add. charge
<input type="checkbox"/>	No		-

Information



MA 55 Plug-on
anti-tipper



MG 83 One-arm drive



ME 61 Swivel unit



MB 21 Amputation leg
support

Drive wheel rim			
MG 05	<input type="checkbox"/>	Standard	-
MG 80	<input type="checkbox"/>	Drive wheel with drum brake for attendant	Add. charge
MG 83	<input type="checkbox"/>	One-arm drive with double handrim <input type="checkbox"/> right side <input type="checkbox"/> left side "HEMI"	Add. charge
Tyres			
MG 30	<input type="checkbox"/>	Pneumatic tyres 1 3/8"	-
MG 31	<input type="checkbox"/>	Rightrun pneumatic tyres, fine tread, 1"	-
MG 35	<input type="checkbox"/>	PU tyres 1 3/8"	-
Handrims			
MG 52	<input type="checkbox"/>	Aluminium, silver anodised, high	-
MG 56	<input type="checkbox"/>	Stainless steel polished, high	Add. charge
MG 54	<input type="checkbox"/>	Rubber-coated, high	Add. charge
Wheel locks			
MH 01	<input type="checkbox"/>	Knee lever wheel lock standard	-
MH 06	<input type="checkbox"/>	Knee lever wheel lock f. user + attendant	Add. charge
MH 08	<input type="checkbox"/>	Knee lever wheel lock for one-handed operation, right "HEMI"	Add. charge
MH 09	<input type="checkbox"/>	Knee lever wheel lock for one-handed operation, left "HEMI"	Add. charge
Wheel lock accessories			
MH 10	<input type="checkbox"/>	Wheel lock lever extension	Add. charge
Back support system			
MD 09	<input type="checkbox"/>	Standard back support with lumbar curve	-
MD 10	<input type="checkbox"/>	Back support angle adjustment 30°	Add. charge
MD 11	<input type="checkbox"/>	Folding back support	Add. charge
MD 01	<input type="checkbox"/>	Standard straight back support	-
Back support height in cm			
<input type="checkbox"/> 40 <input type="checkbox"/> 42.5 <input type="checkbox"/> 45 <input type="checkbox"/> 47.5			
Back support upholstery			
MD 04	<input type="checkbox"/>	Standard	-
MD 05	<input type="checkbox"/>	Adaptable	Add. charge
MD 06	<input type="checkbox"/>	Without	-
MD 07	<input type="checkbox"/>	Economy	Add. charge
Push handles			
MD 51	<input type="checkbox"/>	Standard	-
MD 52	<input type="checkbox"/>	Telescoping	Add. charge
Back support accessories			
MD 23	<input type="checkbox"/>	Side thoracic support, right "HEMI"	Add. charge
MD 24	<input type="checkbox"/>	Side thoracic support, left "HEMI"	Add. charge
MD 58	<input type="checkbox"/>	Stabiliser bar	Add. charge

Side panels			
ME 01	<input type="checkbox"/>	Standard side panel, arm support 300 mm, short mounted	-
ME 01	<input type="checkbox"/>	Standard side panel, arm support, 300 mm, long mounted	-
ME 05	<input type="checkbox"/>	Height-adjustable side panel, arm support 300 mm	Add. charge
ME 06	<input type="checkbox"/>	Standard side panel, arm support 365 mm, short mounted	Add. charge
ME 06	<input type="checkbox"/>	Standard side panel, arm support 365 mm, long mounted	Add. charge

Side panel accessories "HEMI"			
ME 60	<input type="checkbox"/>	Tray	Add. charge
ME 61	<input type="checkbox"/>	Swivel unit for arm supports, mounting side right	Add. charge
ME 62	<input type="checkbox"/>	Swivel unit for arm supports, mounting side left	Add. charge
ME 70	<input type="checkbox"/>	Arm support, one-piece, left	Add. charge
ME 71	<input type="checkbox"/>	Arm support, one-piece, right	Add. charge
ME 72	<input type="checkbox"/>	Modular arm support, left <input type="checkbox"/> small <input type="checkbox"/> medium <input type="checkbox"/> large	Add. charge
ME 73	<input type="checkbox"/>	Modular arm support, right <input type="checkbox"/> small <input type="checkbox"/> medium <input type="checkbox"/> large	Add. charge
ME 74	<input type="checkbox"/>	Hand support flat, left <input type="checkbox"/> small <input type="checkbox"/> large	Add. charge
ME 75	<input type="checkbox"/>	Hand support flat, right <input type="checkbox"/> small <input type="checkbox"/> large	Add. charge
ME 76	<input type="checkbox"/>	Hand support concave, left <input type="checkbox"/> small <input type="checkbox"/> large	Add. charge
ME 77	<input type="checkbox"/>	Hand support concave, right <input type="checkbox"/> small <input type="checkbox"/> large	Add. charge
ME 78	<input type="checkbox"/>	Hand support horn type, left <input type="checkbox"/> small <input type="checkbox"/> large	Add. charge
ME 79	<input type="checkbox"/>	Hand support horn type, right <input type="checkbox"/> small <input type="checkbox"/> large	Add. charge
MD 80	<input type="checkbox"/>	Hand support cone type, left <input type="checkbox"/> small <input type="checkbox"/> large	Add. charge
MD 81	<input type="checkbox"/>	Hand support cone type, right <input type="checkbox"/> small <input type="checkbox"/> large	Add. charge

Seat upholstery			
MC 13	<input type="checkbox"/>	Standard	-
MC 17	<input type="checkbox"/>	Padded	Add. charge
MC 06	<input type="checkbox"/>	Without	-

Seat cushion			
MC 01	<input type="checkbox"/>	Standard seat cushion (thickness 5 cm)	Add. charge
MC 02	<input type="checkbox"/>	Cubic Foam seat cushion (thickness 5 cm)	Add. charge
MC 05	<input type="checkbox"/>	EvoLight seat cushion (thickness 6 cm)	Add. charge
MC 20	<input type="checkbox"/>	Terra seat cushion (thickness 6 – 9.5 cm)	Add. charge
MC 21	<input type="checkbox"/>	Terra Aquos seat cushion (thickness 6 – 9.5 cm)	Add. charge
MC 22	<input type="checkbox"/>	Terra Flair seat cushion (thickness 6 – 9.5 cm)	Add. charge

LL length (without seat cushion)			
Lower leg length (LL) in cm		(available adjustment range 25 cm – 49 cm)	-

Leg support bar options			
MB 40	<input type="checkbox"/>	Short (27 – 40 cm)	-
MB 42	<input type="checkbox"/>	Long (35 – 49 cm)	-

Please note that the lower leg lengths vary in case of elevating leg supports.

Leg supports		
MB 10	<input type="checkbox"/>	Individual leg supports, angle-adjustable with plastic foot plates -
MB 03	<input type="checkbox"/>	Single-panel leg support, aluminium foot plate Add. charge
MB 25	<input type="checkbox"/>	Elevating leg supports without automatic length adjustment, pair Add. charge
MB 26	<input type="checkbox"/>	Elevating leg support without automatic length adjustment, right (plus standard leg support, left) Add. charge
MB 27	<input type="checkbox"/>	Elevating leg support without automatic length adjustment, left (plus standard leg support, right) Add. charge
MB 21	<input type="checkbox"/>	Amputation leg support, right (plus standard leg support, left) Add. charge
MB 22	<input type="checkbox"/>	Amputation leg support, left (plus standard leg support, right) Add. charge
MB 23	<input type="checkbox"/>	Amputation leg supports, pair Add. charge
Stump Support (Start 4 Stump Support, please select MB10 also)		
481B74=LK075	<input type="checkbox"/>	Stump Support Left - SW 16' - 18' Add. charge
481B74=RK075	<input type="checkbox"/>	Stump Support Right - SW 16' - 18' Add. charge
481B74=LK076	<input type="checkbox"/>	Stump Support Left - SW 20' Add. charge
481B74=RK076	<input type="checkbox"/>	Stump Support Right - SW 20' Add. charge
Leg support accessories		
MB 72	<input type="checkbox"/>	Heel straps for individual leg supports Add. charge
Other accessories		
MZ 50	<input type="checkbox"/>	Lap belt with plastic buckle Add. charge
MZ 51	<input type="checkbox"/>	Lap belt with metal buckle Add. charge
MZ 52	<input type="checkbox"/>	Tool kit Add. charge
MZ 61	<input type="checkbox"/>	Installation kit for head support, horizontal Add. charge
MZ 62	<input type="checkbox"/>	Installation kit for head support, horizontal and vertical Add. charge
MZ 63	<input type="checkbox"/>	Head support complete incl. installation kit for head support, horizontal and vertical Add. charge
MZ 66	<input type="checkbox"/>	Chest/shoulder harness Add. charge
Spoke protectors		
MG 90	<input type="checkbox"/>	Transparent Add. charge
Frame colours		
002	<input type="checkbox"/>	Anthracite metallic -
003	<input type="checkbox"/>	Jet black RAL 9005 -
004	<input type="checkbox"/>	Ice blue -
016	<input type="checkbox"/>	Silver metallic -
020	<input type="checkbox"/>	Saturn blue metallic -
023	<input type="checkbox"/>	Traffic white RAL 9016 -