

Titanium Script Form

Lightweight Fixed Frame Day Wheelchair 90450



To Order Fill in the frame dimensions and features required. For variations describe in detail on a separate page. If you have any further questions contact us at the address at the bottom of the page.

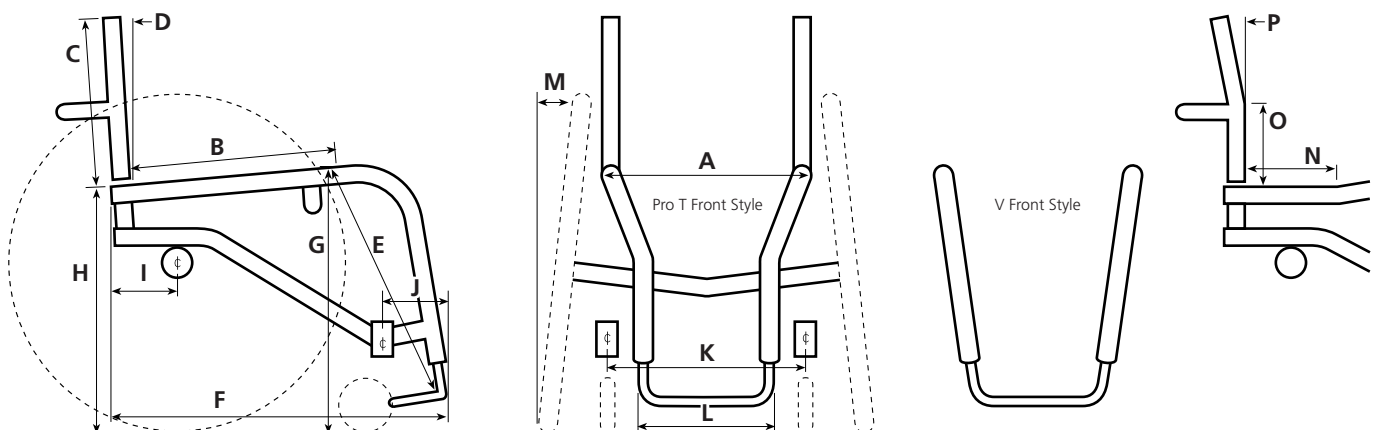
SEND FORM
If online, click here to send via e-mail

Date _____	Delivery details _____			
Name _____	_____			
Address _____	_____			
_____	Therapist details _____			
Phone _____	_____			
Fax / Cell _____	Required by _____			
Email _____	TRIAL CHAIR REF: _____			
Disability _____	Weight _____	Height _____	Shoe Size _____	T-Shirt Size _____

MEASUREMENTS (Refer to diagram below) **Materials** Titanium only

A Seat Width _____	F Frame Length _____	K Castor Pivot Centres _____	<input type="checkbox"/> Ergo Seat Option AD10220
B Seat Length _____	G Seat to Floor - Front _____	L Footplate Width _____	N Ergo Seat Length _____
C Back Height _____	H Seat to Floor - Rear _____	M Camber (0° - 5°) _____	O Ergo Back Height _____
D Back Angle° _____	I Balance Point _____	Camber Bar Position	P Ergo Back Angle° _____
E Seat to Footplate _____	J Castor Pivot Position _____	<input type="checkbox"/> Adjustable <input type="checkbox"/> Fixed	Front Hanger Taper Style
			<input type="checkbox"/> V Front <input type="checkbox"/> Pro T Front

ADDITIONAL NOTES
(you can type here)



Titanium Script Form

Lightweight Fixed Frame Day Wheelchair

Name _____

BACK REST

-
- Folding back (std)
-
- Fixed back

FOOTPLATE

-
- Standard
-
- Angle adjustable AD11520
-
- ABS on footplate AD11500
-
- Fabric padded cover AD11510

CASTORS

- | | | | |
|--|--|--|---|
| <input type="checkbox"/> Rollerblade (std) | <input type="checkbox"/> 5" solid (std) | <input type="checkbox"/> 6" solid (std) | <input type="checkbox"/> 8" solid AD11760 |
| <input type="checkbox"/> 4" solid (std) | <input type="checkbox"/> 5" solid alloy AD11740 | <input type="checkbox"/> 6" solid alloy AD11742 | <input type="checkbox"/> 8" pneumatic AD11780 |
| <input type="checkbox"/> 4" x 1.25" alloy AD11710 | <input type="checkbox"/> 5" x 1.5" solid AD11720 | <input type="checkbox"/> 6" x 1.5" solid AD11730 | |
| <input type="checkbox"/> 4" wide soft roll AD11806 | <input type="checkbox"/> 5" x 1.5" alloy AD11740 | <input type="checkbox"/> 6" x 1.5" alloy AD11742 | |
| | <input type="checkbox"/> 5" wide soft roll AD11810 | <input type="checkbox"/> 6" wide soft roll AD11820 | |
| | | <input type="checkbox"/> 6" pneumatic AD11750 | |

FORKS

-
- Standard forks (std)
-
- Ultralight bearing forks AD11910
-
- Frog Legs suspension AD11950
-
- Frog Legs Unitine AD11920

PUSH HANDLES

-
- Nil
-
- Removable AD14100
-
- Height adj dual clamp AD14120
-
- Foldable in back canes AD14160

BRAKES

- | | | | |
|---|--|--|---|
| <input type="checkbox"/> Nil | <input type="checkbox"/> Superlock <small>Push to Lock with Brake Extensions</small> AD14560 | <input type="checkbox"/> Scissor (std) | <input type="checkbox"/> Scissor Lock Composite AD14570 |
| <input type="checkbox"/> Push to lock (std) | <input type="checkbox"/> Brake extension left AD14550 | <input type="checkbox"/> Ergo Scissor AD14522 | <input type="checkbox"/> D's-Locks AD14600 |
| <input type="checkbox"/> Pull to lock AD14510 | <input type="checkbox"/> Brake extension right AD14550 | <input type="checkbox"/> Ergo Scissor w/spring AD14524 | <input type="checkbox"/> Hill climbers AD14530 |

ANTI-TIPS

- | | |
|---|---|
| <input type="checkbox"/> Nil | <input type="checkbox"/> Single centre mount anti-tip with plastic wheels AD15070 |
| <input type="checkbox"/> Pair of single anti-tips with plastic wheels AD15000 | <input type="checkbox"/> Single centre mount anti-tip with rollerblades AD15080 |
| <input type="checkbox"/> Pair of single anti-tips with rollerblades AD15030 | <input type="checkbox"/> Dual tube one piece swivel anti-tip with rollerblade AD15150 |

ARMRESTS

- | | |
|--|---|
| <input type="checkbox"/> Nil | <input type="checkbox"/> T adjustable height with desk pad armrest AD15260 |
| <input type="checkbox"/> ABS skirt guard attached to full length pad armrest AD15281 | <input type="checkbox"/> T adjustable height with full length pad armrest AD15261 |

UPHOLSTERY

- | | | | |
|--------------------------------------|--|---|--|
| <input type="checkbox"/> Sling (std) | <input type="checkbox"/> Standard back (std) | <input type="checkbox"/> No cushion | <input type="checkbox"/> Bag under chair AD16600 |
| | <input type="checkbox"/> Tension adjustable back AD16010 | <input type="checkbox"/> Cushion 1" AD16201 | <input type="checkbox"/> Bag on back of chair AD16680 |
| | | <input type="checkbox"/> Cushion 2" AD16202 | <input type="checkbox"/> Bag on right front hanger AD16620 |
| | | <input type="checkbox"/> Cushion 3" AD16203 | <input type="checkbox"/> Bag on front left hanger AD16620 |
| | | | <input type="checkbox"/> Wheel bag AD16780 |

SKIRT GUARDS

- | | | | |
|--|---|--|---|
| <input type="checkbox"/> Nil | <input type="checkbox"/> ABS drop in AD16110 | <input type="checkbox"/> Alloy fixed AD16130 | <input type="checkbox"/> Carbon Fibre fixed AD16161 |
| <input type="checkbox"/> Fabric skirt guards AD16100 | <input type="checkbox"/> ABS fabric covered AD16120 | <input type="checkbox"/> Alloy folding AD16140 | <input type="checkbox"/> Carbon Fibre folding AD16160 |

STRAPS, IMPACT GUARDS

- | | | | |
|--|--|---|--|
| <input type="checkbox"/> Leg strap (std) | <input type="checkbox"/> Impact guards front hangers AD16400 | <input type="checkbox"/> Impact guards grab bar AD16420 | Impact guards made only if suitable after fitting anti tips, push handles etc. |
| | | <input type="checkbox"/> Impact guards bottom bar AD16422 | |

Titanium Script Form

Lightweight Fixed Frame Day Wheelchair

Name _____

WHEELS**24"**

- Spoked Wheels (std)
- Spinerger Day Wheels (18 spoke) **AD13300** (Choose your spoke colour) **Bk R Bl W Y**
- Spinerger LX Wheels (12 spoke) **AD13310** (Choose your spoke colour) **Bk R Bl W Y Gr Pk O**
- Spinerger LX Wheels with FlexRim (12 spoke - black only) **AD13315**
- X Core Wheels (5 spoke) **AD13108**
- Spider Wheels **AD13100**
- Topolino Wheels **AD13350**
- Dino Wheels **AD13360** (Choose your spoke colour) **Bk R Bl Sv Go Gr Pk O LB Pu**
- Glance Wheels **AD13400** (Wheel Type)
- BMX Wheels (std)

25"

- Spoked Wheels (std)
- Spinerger Day (18 spoke) **AD13300** (Choose your spoke colour) **Bk R Bl W Y**
- Spinerger LX (12 spoke) **AD13310** (Choose your spoke colour) **Bk R Bl W Y Gr Pk O**
- Spinerger LX Wheels with FlexRim (12 spoke - black only) **AD13315**
- X Core Wheels (3 spoke) **AD13200**
- Topolino Wheels **AD13350**
- Dino Wheels **AD13360** (Choose your spoke colour) **Bk R Bl Sv Go Gr Pk O LB Pu**
- Glance Wheels **AD13400** (Wheel Type)
- BMX Wheels (std)

26"

- Spoked Wheels (std)
- Spinerger Day (18 spoke) **AD13300** (Choose your spoke colour) **Bk R Bl W Y**
- Spinerger LX (12 spoke) **AD13310**
- BMX Wheels (std)

 Spare Wheel(s) Type: _____

Tyres: _____

Pushrims: _____

Size: _____

TYRES**24"**

- 24" x 1" HP Smooth (std)
- 24" x 1" HP Tread (std)
- 24" x 1" Solid (std)
- 24" x 1-3/8" Tread (std)
- 24" x 1-3/8" Solid (std)
- 24" x 1-3/8" Kenda HP Tread **AD13710**
- 24" x 1-3/8" Knobbly V-Trak **AD13715**
- 24" x 1" Kenda Ironcap Blue **AD13700**
- 24" x 1" Kenda Konstrictor **AD13720**
- 24" x 1" Schwalbe Right Run **AD13740**
- 24" x 1" Schwalbe Marathon Evo **AD13750**
- BMX Tread (std)

25"

- 25" x 1" HP Smooth (std)
- 25" x 1" Solid (std)
- 25" x 1" Kenda Ironcap Blue **AD13700**
- 25" x 1" Kenda Konstrictor **AD13720**
- 25" x 1" Schwalbe Right Run **AD13740**
- 25" x 1" Schwalbe Marathon Evo **AD13750**
- BMX Tread (std)

26"

- 26" x 1" HP Smooth (std)
- 26" x 1-3/8" Tread (std)
- 26" x 1" Solid (std)
- 26" x 1" Schwalbe Right Run **AD13740**
- 26" x 1" Schwalbe Marathon Evo **AD13750**
- BMX Tread (std)

AXLES

- Quick release axles (std) Quad release **AD12500**

PUSHRIMS

- Anodised (std) Anodised (1") **AD13855** Foam **AD13840** Natural Fit Lite **AD13860**
- Vinyl **AD13830** Vinyl (1") **AD13859** Surge **AD13864** Max Greppe **AD13870**
- Rubber coated (black) **AD13850** Rubber coated (1") **AD13857** Surge Lite **AD13864** Spinerger FlexRim - see Wheels

PUSHRIMS - POSITION

- Standard In close Onto rim

SPOKE GUARDS

- Nil Clear polycarb **AD13900** Black ABS **AD13901**

Titanium Script Form

Lightweight Fixed Frame Day Wheelchair

Name _____

COLOURS

Polished

Bead Blasted



ATTENTION

THIS IS A GUIDE TO COLOURS ONLY, how colours appear on your monitor or when printed out may vary.

Contact us if you require assistance or a colour sample.

We do not recommend powder coating titanium.