

# Shower Chair Script Form

Transportable Toilet & Shower Wheelchair 90805



**To Order** Fill in the frame dimensions and features required. For variations describe in detail on a separate page. If you have any further questions contact us at the address at the bottom of the page.

**SEND FORM**  
If online, click here to send via e-mail

Date \_\_\_\_\_ Delivery details \_\_\_\_\_

Name \_\_\_\_\_

Address \_\_\_\_\_

Phone \_\_\_\_\_

Fax / Cell \_\_\_\_\_

Email \_\_\_\_\_

Required by \_\_\_\_\_  
(Delivery is normally 4-6 weeks from order confirmation)

Disability \_\_\_\_\_ Grading \_\_\_\_\_ Weight \_\_\_\_\_ Height \_\_\_\_\_ Shoe Size \_\_\_\_\_ T-Shirt Size \_\_\_\_\_

## MEASUREMENTS (Refer to diagram)

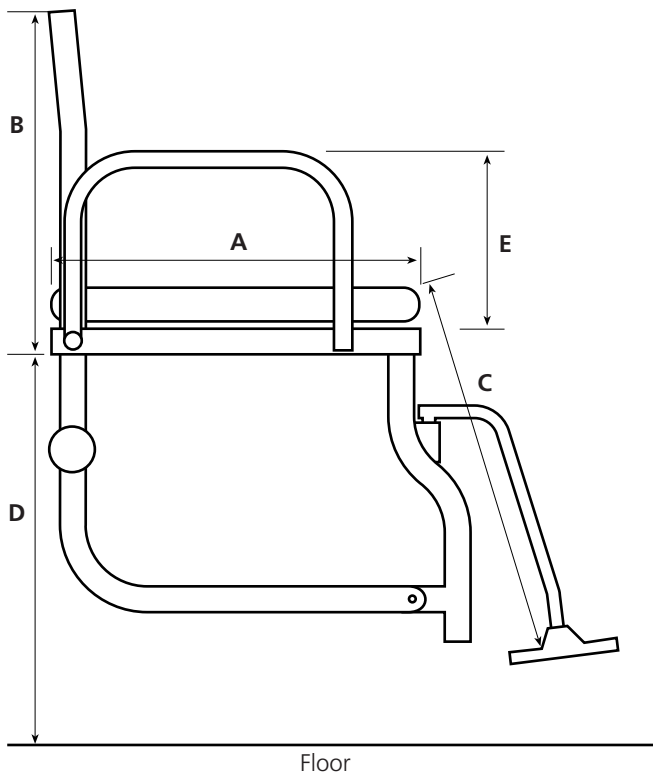
Seat Width **std 16"** \_\_\_\_\_ C Seat to footplate \_\_\_\_\_ Castors **std 5"** \_\_\_\_\_

A Seat Length **std 16"** \_\_\_\_\_ D Seat to floor **std 20"** \_\_\_\_\_ Rear Wheels **std 20"** \_\_\_\_\_

B Back Height **std 16"** \_\_\_\_\_ E Armrests **std 11"** \_\_\_\_\_  
(from seat base)

## FABRICATION NOTES

(you can type here)



# Shower Chair Script Form

Transportable Toilet & Shower Wheelchair

Name \_\_\_\_\_

## CASTORS

- 5" braked                       5" unbraked

## WHEELS

- Standard composite 20"  
 Standard cross spoked 20"  
 Other \_\_\_\_\_

## TYRES

- Solid  
 Pneumatic

## PUSHRIMS

- Hard anodised only standard

## SEAT

- Padded toilet seat front opening  
 Other \_\_\_\_\_

## BAG

- Carry bag for chair

## TRANSIT OPTION

- 2 locking front castors and 2 fixed rear castors

## COLOUR

Chrome only

## OTHER VARIATIONS

(you can type here)