

Zenit	Order no.: -----
--------------	-------------------------

Zenit

Active wheelchair

Article number: 480F160=1_AA02_C



<input type="checkbox"/> Provide estimate only		<input type="checkbox"/> Order	
Billing address/customer number			
Delivery address			
Sales person		Name	
		
		Date	Signature
<p>By placing the order, you agree to comply with the instructions for use/service manuals for accessories and products of other manufacturers when combining them with an Ottobock product, in addition to the instructions for use/service manuals of the respective Ottobock products. Also you confirm to have read, understood and accepted, our general terms and conditions. In addition, you agree, upon placing an order, to conduct your own conformity assessment or approval in accordance with national requirements if and when you implement modifications or attachments that do not meet the specifications of Ottobock instructions for use/service manuals.</p>			

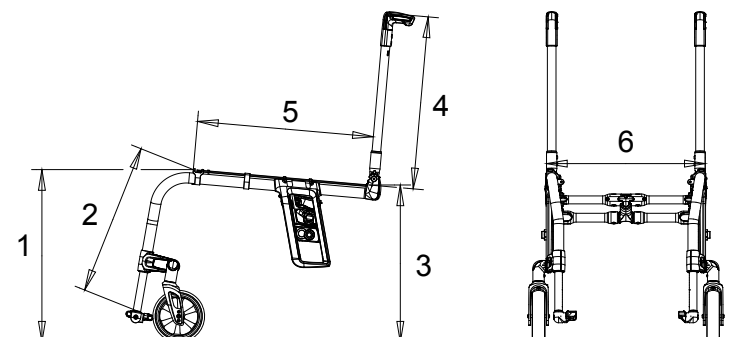
Standard equipment

- Open aluminium tube frame, foldable
- Choice of front frame offset
- Foldable leg support
- Back support upholstery adjustable
- Aluminium side panels
- Modular design
- Drive wheels with quick release axles
- Knee lever wheel lock 4.0
- Calf strap

Folding, max. user weight 120 kg

Wheelchair measurements*

- 1 Anterior seat height (ASH)
= ground to top of seat upholstery
- 2 Lower leg length (LL)
= top of seat upholstery to top of foot plate
(without seat cushion)
- 3 Posterior seat height (PSH)
= ground to top of seat upholstery
- 4 Back support height (BH)
= top of seat tube (crossbrace) to top of back support upholstery
- 5 Seat depth (SD)
= front of seat upholstery to back support tube
- 6 Seat width (SW)
= outside edge of frame tube to outside edge of frame tube



A manufacturing tolerance of 10 mm applies to all measurements and of 10% to specified weights.

The number codes contained in this order form are not intended to be used as article numbers for spare parts orders. Please use the spare parts catalogue for spare parts orders.

Equipment			
MA 110	<input checked="" type="checkbox"/>	Standard	
Frame tube material			
MA 08	<input type="checkbox"/>	Aluminium	-
MA 12	<input type="checkbox"/>	Carbon (only with 85° and 2 cm offset/abduction) (max. load capacity 100 kg)	Add. charge
Spring support folding mechanism			
MA 120	<input checked="" type="checkbox"/>	Standard	
Front frame angle			
MA 20	<input type="checkbox"/>	75°	-
MA 21	<input type="checkbox"/>	85°	-
Front frame offset			
MA 14	<input type="checkbox"/>	0 cm offset	-
MA 15	<input type="checkbox"/>	2 cm offset	-
MA 30	<input type="checkbox"/>	2 cm abduction (possible up to SW 42 cm)	-
Front frame extension			
MA 23	<input type="checkbox"/>	3 cm	Add. charge
Seat width SW in cm			
<input type="checkbox"/> 32	<input type="checkbox"/> 34	<input type="checkbox"/> 36	<input type="checkbox"/> 38
<input type="checkbox"/> 40	<input type="checkbox"/> 42	<input type="checkbox"/> 44	<input type="checkbox"/> 46
Seat depth SD in cm			
<input type="checkbox"/> 36	<input type="checkbox"/> 38	<input type="checkbox"/> 40	<input type="checkbox"/> 42
<input type="checkbox"/> 44	<input type="checkbox"/> 46	<input type="checkbox"/> 48	<input type="checkbox"/> 50
Anterior seat height in cm			
<input type="checkbox"/> 38	<input type="checkbox"/> 39	<input type="checkbox"/> 40	<input type="checkbox"/> 41
<input type="checkbox"/> 42	<input type="checkbox"/> 43	<input type="checkbox"/> 44	<input type="checkbox"/> 45
<input type="checkbox"/> 46	<input type="checkbox"/> 47	<input type="checkbox"/> 48	<input type="checkbox"/> 49
<input type="checkbox"/> 50	<input type="checkbox"/> 51	<input type="checkbox"/> 52	<input type="checkbox"/> 53
<input type="checkbox"/> 54			
Frame accessories			
MA 51	<input type="checkbox"/>	Tip-assist, right	+ 270 g Add. charge
MA 52	<input type="checkbox"/>	Tip-assist, left	+ 270 g Add. charge
MA 55	<input type="checkbox"/>	Anti-tipper, right	+ 517 g Add. charge
MA 56	<input type="checkbox"/>	Anti-tipper, left	+ 517 g Add. charge
MA 60	<input type="checkbox"/>	Frame pad	+ 42 g Add. charge
Caster wheels			
MF 30	<input type="checkbox"/>	4" solid rubber, black	-
MF 35	<input type="checkbox"/>	4" soft caster, aluminium	Add. charge
MF 31	<input type="checkbox"/>	5" solid rubber, black	-
MF 36	<input type="checkbox"/>	5" soft caster, aluminium	Add. charge
MF 04	<input type="checkbox"/>	5.5" soft caster, grey	-
MF 05	<input type="checkbox"/>	6" pneumatic tyre	-
MF 32	<input type="checkbox"/>	6" solid rubber, black	-
MF 37	<input type="checkbox"/>	6" soft caster, aluminium	Add. charge
Caster wheel axle			
MF 90	<input checked="" type="checkbox"/>	Caster wheel forks with threaded axles	

Posterior seat height in cm							
<input type="checkbox"/> 37	<input type="checkbox"/> 38	<input type="checkbox"/> 39	<input type="checkbox"/> 40	<input type="checkbox"/> 41	<input type="checkbox"/> 42	<input type="checkbox"/> 43	<input type="checkbox"/> 44
<input type="checkbox"/> 44	<input type="checkbox"/> 45	<input type="checkbox"/> 46	<input type="checkbox"/> 47	<input type="checkbox"/> 48	<input type="checkbox"/> 49	<input type="checkbox"/> 50	

Drive wheel size	
MG 02	<input type="checkbox"/> 24" -
MG 00	<input type="checkbox"/> 25" -
Drive wheel camber <input type="checkbox"/> 0° <input type="checkbox"/> 2° <input type="checkbox"/> 3° <input type="checkbox"/> 4°	

Drive wheel rim		24"	25"	
MG 06	<input type="checkbox"/> Hollow rims	•	•	-
MG 10	<input type="checkbox"/> Spinergy SPOX - 360 g	•		Add. charge
MG 11	<input type="checkbox"/> Spinergy LX - 400 g	•		Add. charge
MG 12	<input type="checkbox"/> Spinergy LXL Blade, black spokes - 660 g	•		Add. charge
MG 12	<input type="checkbox"/> Spinergy LXL Blade, Blade, white spokes - 660 g	•		Add. charge
MG 15	<input type="checkbox"/> Infinity Ultralight - 720 g	•	•	Add. charge
MG 150	<input type="checkbox"/> Infinity Ultralight, coloured - 720 g	•		Add. charge
Colour set Infinity Ultralight/caster wheel fork		24"	25"	
<input type="checkbox"/>	Sparkle light orange	•		Add. charge
<input type="checkbox"/>	Marine blue	•		Add. charge
<input type="checkbox"/>	Candy red	•		Add. charge
<input type="checkbox"/>	Sparkle granny-smith	•		Add. charge

Tyres		24"	25"	
MG 31	<input type="checkbox"/> Schwalbe RightRun, 1"	•	•	-
MG 34	<input type="checkbox"/> PU 1" + 344 g	•		-
MG 37	<input type="checkbox"/> Schwalbe Marathon Plus Evolution, 1" + 374 g	•	•	Add. charge
MG 200	<input type="checkbox"/> Schwalbe ONE 1" - 226 g	•		Add. charge

Handrims		24"	25"	
MG 50	<input type="checkbox"/> Aluminium, black coated, high	•	•	-
MG 52	<input type="checkbox"/> Aluminium, silver anodised, high - 40 g	•	•	Add. charge
MG 53	<input type="checkbox"/> Aluminium, silver anodised, low - 120 g	•		Add. charge
MG 54	<input type="checkbox"/> Rubber-coated + 500 g	•	•	Add. charge
MG 56	<input type="checkbox"/> Stainless steel, polished, high + 620 g	•	•	Add. charge
MG 57	<input type="checkbox"/> Stainless steel, polished, low + 580 g	•		Add. charge
MG 61	<input type="checkbox"/> The Surge + 720 g	•	•	Add. charge
MG 63	<input type="checkbox"/> Curve L + 200 g	•	•	Add. charge
MG 64	<input type="checkbox"/> Curve L Grip + 840 g	•	•	Add. charge

Handrim mounting	
MG 70	<input type="checkbox"/> Narrow -
MG 71	<input type="checkbox"/> Wide -

Tipping point in cm (measured parallel to the ground)									
<input type="checkbox"/> 5	<input type="checkbox"/> 6	<input type="checkbox"/> 7	<input type="checkbox"/> 8	<input type="checkbox"/> 9	<input type="checkbox"/> 10	<input type="checkbox"/> 11	<input type="checkbox"/> 12	<input type="checkbox"/> 13	<input type="checkbox"/> 14
Alternative measuring method (specification of the horizontal drive wheel position of the Zenit)									
<input type="checkbox"/> A	<input type="checkbox"/> B	<input type="checkbox"/> C	<input type="checkbox"/> D	<input type="checkbox"/> E	<input type="checkbox"/> F	<input type="checkbox"/> G	<input type="checkbox"/> H		
(Tick the drive wheel position of your Zenit, we calculate the tipping point.)									

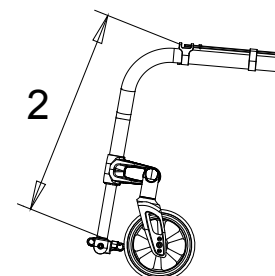
Quick-release axle system			
MG 27	<input type="checkbox"/>	Quick-release axle	-
MG 28	<input type="checkbox"/>	Quick-release axle with Tetra release	+ 158 g Add. charge
Drive wheel accessories			
MG 87	<input type="checkbox"/>	High-pressure air pump, 14 bar	Add. charge
MG 88	<input type="checkbox"/>	Airman pump	Add. charge
Wheel locks			
MH 01	<input type="checkbox"/>	Knee lever wheel lock 4.0	-
MH 30	<input type="checkbox"/>	Knee lever wheel lock 4.0, long lever	Add. charge
MH 05	<input type="checkbox"/>	OutFront scissor wheel lock	- 142 g Add. charge
Wheel lock accessories			
MH 10	<input type="checkbox"/>	Wheel lock lever extension for knee lever wheel lock	+ 70 g Add. charge
Back support height in cm			
<input type="checkbox"/> 25 <input type="checkbox"/> 27.5 <input type="checkbox"/> 30 <input type="checkbox"/> 32.5 <input type="checkbox"/> 35 <input type="checkbox"/> 37.5 <input type="checkbox"/> 40 <input type="checkbox"/> 42.5 <input type="checkbox"/> 45 <input type="checkbox"/> 47.5 <input type="checkbox"/> 50			
Back support system			
MD 01	<input type="checkbox"/>	Back support, straight (measured 90° to seat tube)	-
MD 11	<input type="checkbox"/>	Angle-adjustable, fold-down onto seat tubes (-10°/-5°/0°/+5°/+10°)	+ 240 g Add. charge
MD 13	<input type="checkbox"/>	Back support angle according to customer request (measured 90° to the ground) <input type="checkbox"/> 0° <input type="checkbox"/> -5° <input type="checkbox"/> -10°	Add. charge
Back support upholstery			
MD 03	<input type="checkbox"/>	Adaptable, padded	Add. charge
MD 05	<input type="checkbox"/>	Adaptable, breathable	-
MD 18	<input type="checkbox"/>	Ultra light	Add. charge
MD 06	<input type="checkbox"/>	Without	-
Back support pad widening			
MD 80	<input type="checkbox"/>	+ 2 cm	Add. charge
MD 81	<input type="checkbox"/>	+ 4 cm	Add. charge
MD 82	<input type="checkbox"/>	Without	-
Use of BAXX back support system (include order form, model-specific restrictions are possible)			
MD 44	<input type="checkbox"/>	BAXX Aluminium back support (not mounted)	Add. charge
Push handles			
MD 50	<input type="checkbox"/>	Short	-
MD 51	<input type="checkbox"/>	Long	+ 128 g -
MD 55	<input type="checkbox"/>	Height-adjustable/removable	+ 580 g Add. charge
MD 56	<input type="checkbox"/>	Fold-down	+ 108 g Add. charge
MD 59	<input type="checkbox"/>	Without	- 258 g -

Side panels			
ME 02	<input type="checkbox"/>	With splash guard and protection against cold	-
ME 04	<input type="checkbox"/>	Carbon, with splash guard	- 256 g Add. charge
ME 05	<input type="checkbox"/>	With arm support short	+ 2490 g Add. charge
ME 06	<input type="checkbox"/>	With arm support long	+ 2180 g Add. charge

Seat upholstery			
MC 15	<input type="checkbox"/>	Seat upholstery with storage compartments	Add. charge
MC 16	<input type="checkbox"/>	Upholstery readjustable	-
MC 18	<input type="checkbox"/>	Ultra light	Add. charge
MC 06	<input type="checkbox"/>	Without	-

Seat cushions			
MC 01	<input type="checkbox"/>	Seat cushion, standard <input type="checkbox"/> 3 cm <input type="checkbox"/> 5 cm	Add. charge
MC 02	<input type="checkbox"/>	Cubic Foam seat cushion (thickness of cushion 5 cm)	Add. charge
MC 05	<input type="checkbox"/>	Evolight seat cushion (thickness of cushion 6 cm)	Add. charge
MC 09	<input type="checkbox"/>	Contour Gel seat cushion (wedge shape)	Add. charge
MC 20	<input type="checkbox"/>	Terra seat cushion (thickness of cushion 10 cm)	Add. charge
MC 21	<input type="checkbox"/>	Terra Aquos seat cushion (thickness of cushion 10 cm)	Add. charge
MC 22	<input type="checkbox"/>	Terra Flair seat cushion (thickness of cushion 10 cm)	Add. charge
MC 23	<input type="checkbox"/>	Cloud seat cushion (thickness of cushion 10 cm)	Add. charge
MC 24	<input type="checkbox"/>	Advantage seat cushion (thickness of cushion 10 cm)	Add. charge
MC 25	<input type="checkbox"/>	Z-Flo seat cushion (thickness of cushion 7 cm)	Add. charge

Lower leg length in cm (without seat cushion)			
Lower leg length (LL) in cm (available setting range 28 cm – 51 cm)			
MB 130	<input type="checkbox"/>	Adjustable	-



Leg supports			
MB 160	<input type="checkbox"/>	Single-panel, aluminium	Add. charge
MB 180	<input type="checkbox"/>	Single-panel, carbon	- 177 g Add. charge

Leg support accessories			
MB 70	<input type="checkbox"/>	Lock for single-panel foot plate	Add. charge

Other accessories			
MZ 51	<input type="checkbox"/>	Lap belt with metal buckle	Add. charge
MZ 59	<input type="checkbox"/>	Pocket for mobile phone	Add. charge

Spoke protectors		
MG 90	<input type="checkbox"/>	Spoke protector, transparent Add. charge
MG 100	<input type="checkbox"/>	Spoke protector, Graphics decor Add. charge
MG 101	<input type="checkbox"/>	Spoke protector, Miracle decor Add. charge
MG 102	<input type="checkbox"/>	Spoke protector, Network decor Add. charge
MG 103	<input type="checkbox"/>	Spoke protector, Robots decor Add. charge
MG 104	<input type="checkbox"/>	Spoke protector, Spectrum decor Add. charge
Frame colours		
001	<input type="checkbox"/>	Brilliant silver Add. charge
002	<input type="checkbox"/>	Anthracite metallic Add. charge
003	<input type="checkbox"/>	Jet black RAL 9005 Add. charge
004	<input type="checkbox"/>	Ice blue Add. charge
005	<input type="checkbox"/>	Sparkle light orange Add. charge
009	<input type="checkbox"/>	Vinho sparkle Add. charge
010	<input type="checkbox"/>	Marine blue Add. charge
012	<input type="checkbox"/>	Sky blue Add. charge
048	<input type="checkbox"/>	Jet black matte (structure) Add. charge
014	<input type="checkbox"/>	Candy red Add. charge
021	<input type="checkbox"/>	Sparkle granny smith Add. charge
023	<input type="checkbox"/>	White RAL 9016 Add. charge
027	<input type="checkbox"/>	Shimano matte Add. charge
039	<input type="checkbox"/>	Black, anodised, matte -
040	<input type="checkbox"/>	Anthracite, anodised, matte -
041	<input type="checkbox"/>	Gold, anodised, matte -
042	<input type="checkbox"/>	Blue, anodised, matte -
043	<input type="checkbox"/>	Orange, anodised, matte -
044	<input type="checkbox"/>	Green, anodised, matte -
045	<input type="checkbox"/>	Purple, anodised, matte -
046	<input type="checkbox"/>	Red, anodised, matte -
Special accessories		
MZ 52	<input type="checkbox"/>	Tool kit Add. charge
MZ 58	<input type="checkbox"/>	Bag for drive wheels Add. charge
MZ 70	<input type="checkbox"/>	Kit for transportation in a motor vehicle Add. charge
MZ 89	<input type="checkbox"/>	Quick-release axle protection Add. charge
MZ 92	<input type="checkbox"/>	Wheelblades Add. charge
MZ 93	<input type="checkbox"/>	Wheelchair backpack Add. charge

Information



MG 06 Hollow rim



MG 10 Spinerger SPOX



MG 11 Spinerger LX



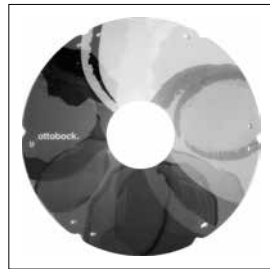
MG 15 Infinity Ultralight



MF 35/36/37 4/5/6" soft caster



MG 100 Graphic



MG 104 Spectrum